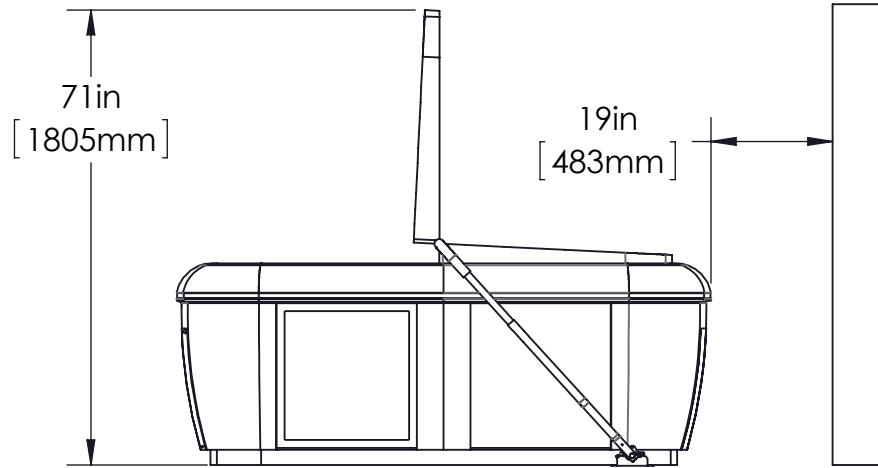
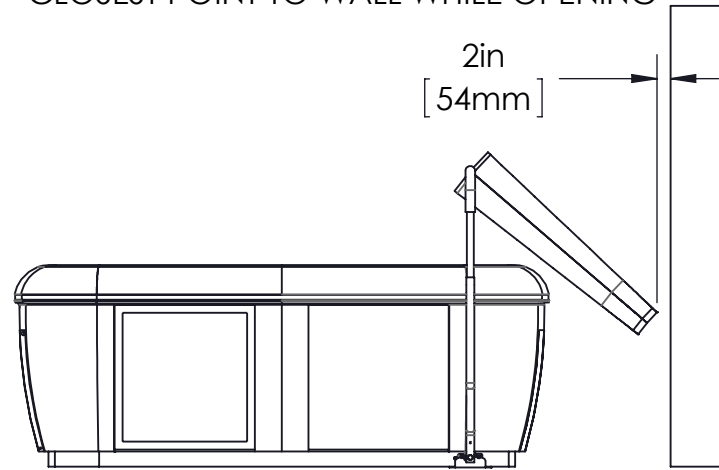


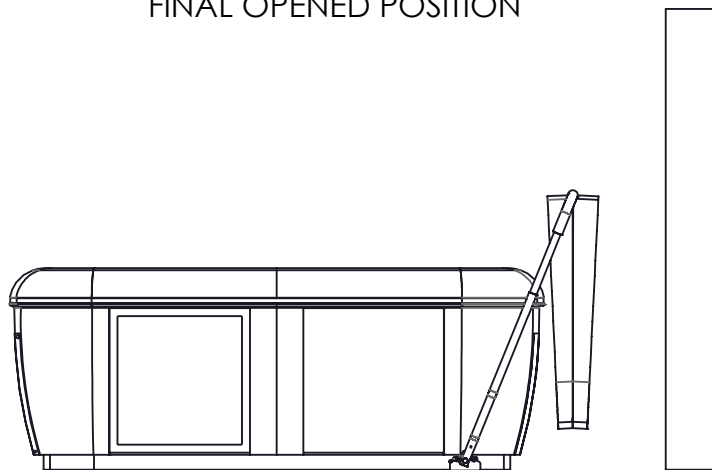
HIGHEST POINT WHILE OPENING



CLOSEST POINT TO WALL WHILE OPENING



FINAL OPENED POSITION



UNLESS OTHERWISE SPECIFIED:

DIMENSIONS ARE IN INCHES  
 TOLERANCES:  
 FRACTIONAL  $\pm 1/16$   
 ANGULAR: MACH  $\pm .5^\circ$  BEND  $\pm .5^\circ$   
 TWO PLACE DECIMAL  $\pm .03$   
 THREE PLACE DECIMAL  $\pm .01^\circ$

COMMENTS:

This document contains proprietary information that is the sole property of Roto Ops LLC and is tendered subject to the following conditions: (A) will be retained in confidence, (B) will not be copied in whole or in part and (C) will not be used or incorporated in any product except under an express written agreement with Roto Ops LLC.

Roto Ops LLC  
 2452 Lake Emma Rd Ste 1000  
 Lake Mary, FL 32746

TITLE:

DREAM LIFT SPACING

REV	DATE	DESCRIPTION	BY	APRV
A	3/27/15	ENG RELEASE	GH	

DRAWN  
 GH

DWG. NO.

REV  
 A

DO NOT SCALE DRAWING

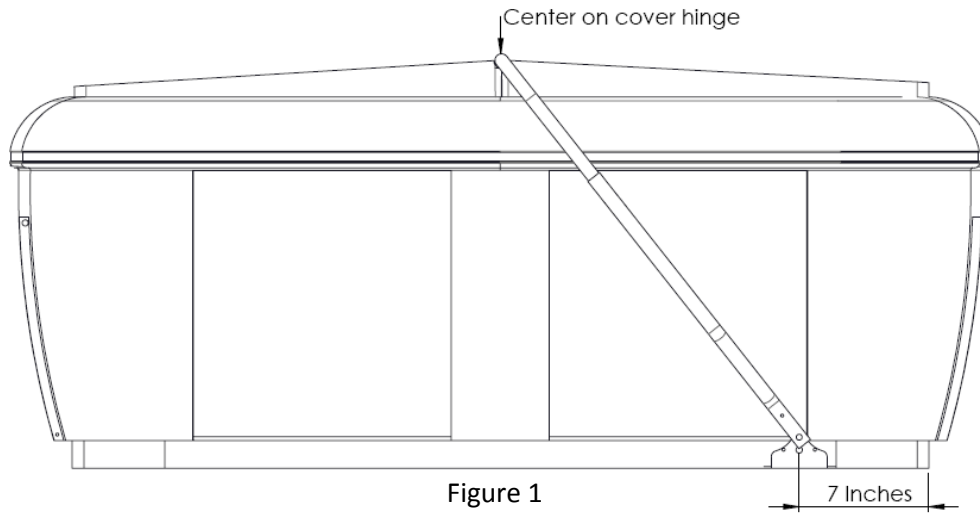
SHEET 1 OF 1



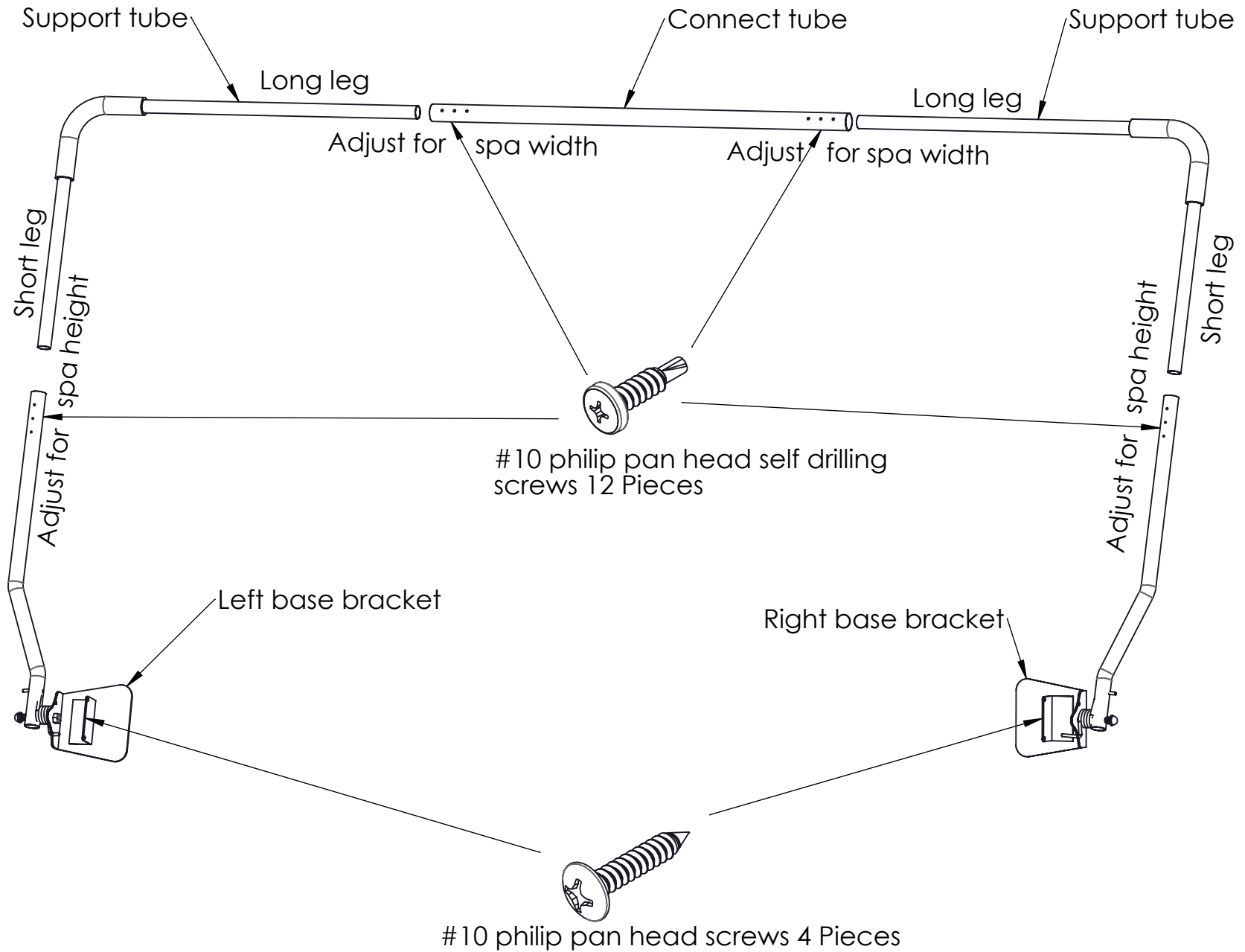
## Installation Instructions

Tools needed: power drill, #2 Philips screw driver bit (6 inches or longer preferred), and measuring tool.

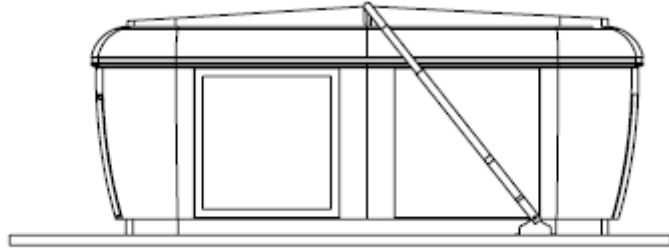
1. Place the cover in its proper position on the spa.
2. Place the center of the left base bracket about 7 inches from the lower corner of the spa and slide under the spa. See figure1.



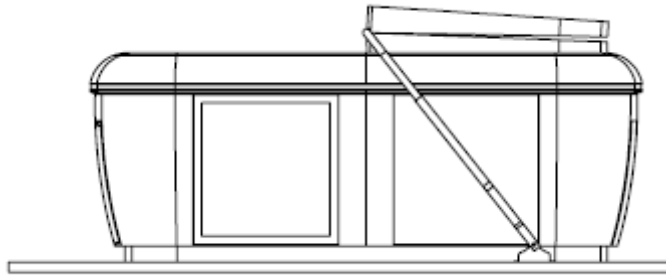
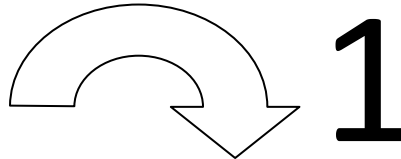
3. While lifting the tube connected to the base bracket, slide the short end of a support tube into the base bracket tube. Rest the long end of the support tube on the center of the cover hinge.
4. Slide the connect tube over the support tube which is lying on the cover hinge.
5. Slide the long end of other support tube into the connect tube. Then slide the sort end into the tube on the right base bracket. At the same time, slide the support tube farther into the connect tube while sliding the right base bracket's foot under the spa.
6. Fasten screws in this order:
  - a. Center the connect tube on the cover hinge, with the holes facing up. Make sure the base brackets are under the spa and are the correct location. Drill 6 #10 hex head self-drilling screws through the holes in the connect tube and into the support tube.
  - b. Drill 6 #10 hex head self-drilling screws through the holes in the base bracket tube into the support tube.
  - c. Fasten the left and right base brackets to the spa using the 4 #10 Philip pan head screws.



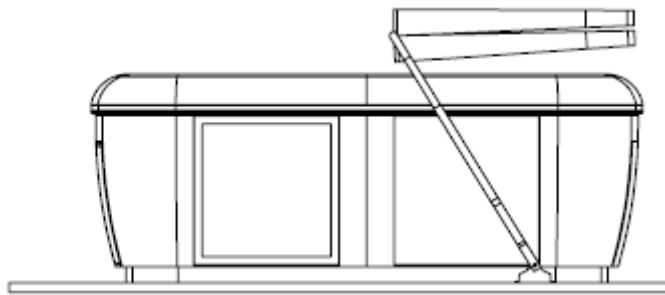
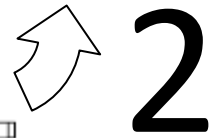
## Opening Your Cover



Step 1. Fold half of the cover onto the other cover half, toward the lifter as shown.



Step 2. Holding the center strap on the lower cover half, lift out of the shell's cover recess.



Step 3. Gently pull the cover outward and downward.

Allow the cover to hang as shown.

To reinstall the cover, reverse the previous steps.

